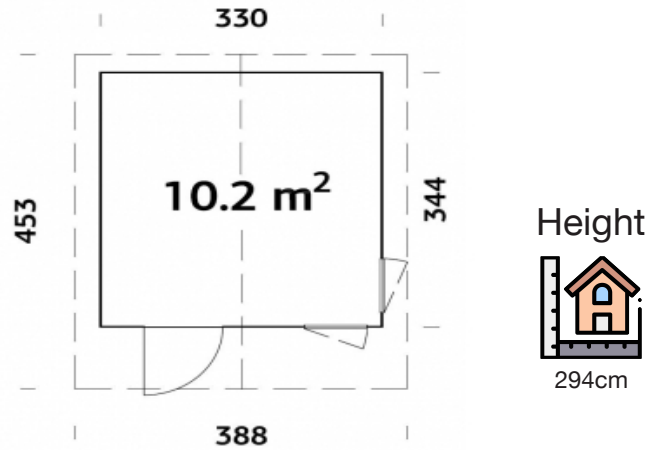


TALLIN



The Tallin self-build timber office brings some Scandinavian style to your garden - indeed, it looks like a smaller version of an attractive northern European house. It also offers all the attention to detail and high quality with which good Scandinavian design is associated.



330 x 344cm



18+70mm



24,6 m³



10,2m²



77 x 181cm



57 x 164 (2)cm



19mm



16mm



80cm

FULL SPECIFICATION

CABIN SIZE:	330 x 344cm x 294cm
WALL THICKNESS:	18+70mm
VOLUME:	24,6 m ³
AREA:	10,2 m ²
DOOR OPENING:	77 x 181cm
WINDOW OPENING:	57 x 164 (2)cm
FLOORS BOARDS:	19mm
ROOF BOARDS:	16mm
ROOF OVERHANG:	80cm
UNDER PLANNING:	No

Wood Type:	Nordic Spruce
Chalet Cut:	N/A
Window Type:	Double Glass
Window / Door Feature:	Rubber Seals & Silicone
Braces:	N/A
Roof Boards With:	Boards With Tongue & Groove
Guarantee:	5 Years
Treated Foundation Joists:	Yes
IDEAL FOR:	Nordic Cabin

FROM £4,841

FINANCE FROM £40.09 PCM

